



**Professional Solutions - Unrivaled Value**

Single adjustable height ceiling mount for 13" to 46" flat panel screens, allows a different mounting solution when wall mounting is not an option. Continuous tilt of 20° forward, 360° rotation and 1" incremental drop lengths provide perfect screen positioning. Makes a secure installation quick and easy, simply hang the screen and turn the pre-assembled securing screw to lock in place. Compatible with all 1.5" NPT threaded pipe.

13"-46" / 33cm-116cm

80 LB / 36 KG

**Functional Specifications**

**Tilt:** +20°/-0°

**Rotation:** 360°

**Mounting Surfaces:** Structural wood beams (with included hardware) & concrete & other structural surfaces (requires additional hardware or accessories).

**Max Mounting Pattern:**

200mm (7.9") width

200mm (7.9") height

**Drop Length:** 24"-36" in 1" increments.

**Load Capacity:** 80 LB / 36 KG

**Warranty:** Limited 10 Years

**Pre-Installed Securing Screws**  
Easy hook and secure installation and pre-assembled securing screw makes installation fast and easy.

**VESA Design**  
Compatible with 75X75mm, 100X100mm, 200X100mm and 200X200mm sizes.

**Mounting Surface**  
Standard 1.5" NPT threaded connection.

**Adjustable Drop Length**  
Adjust to the perfect length using 1" incremental adjustments.

**Tilt**  
0 to +20° tilt for optimal viewing angles.

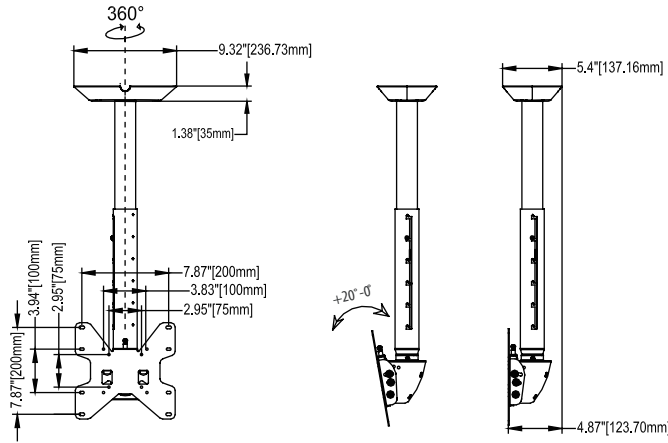
**Mounting Hardware**  
Complete set of screen mounting hardware, labeled for ease of use and ready to go.



# Flat Panel Ceiling Mount

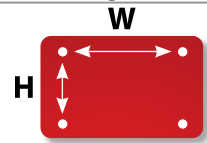
For 13" to 46" (33-116cm) LCD and Plasma TV's

C37-36A (BLACK)



Product Specifications				Package Specifications			
PRODUCT WEIGHT	LOAD CAPACITY	COLORS	FINISH	PACKAGE SIZE (WxHxD)	SHIP WEIGHT	UPC CODE	PACKAGE CONTENTS
12.6lb (5.7kg)	80lb (36kg)	Black	Scratch resistant powder coating	27" x 11.5" x 8.8" (686 x 292 x 224 mm)	17.6lb (8kg)	C37-36A (Black) 0815885010590	Ceiling adapter, adjustable column, mount box, mounting hardware, manual.

## Mounting Interface



**Max Mounting Pattern**  
200mm (W) x 200mm (H)

VESA	W	H	75mm	100mm	200mm	200mm
	X	X	75mm	100mm	200mm	200mm

## Accessories

### Suspended Ceiling Adapters



CAS1W

For mounting above a false ceiling tile. 13" of lateral shift for fast project adjustment. Compatible with all 1.5" NPT threaded pipe.



CAS2W

Replaces a standard 2' x 2' grid. 13" of lateral shift for fast project adjustment. Compatible with all 1.5" NPT threaded pipe.

### Structural Ceiling Adapters



CA1

Wood Single Joist / Concrete



CA2

Wood 16" Double Joist / Concrete



CA4

General Purpose 4x4"



CA8

General Purpose 8x8"

### Truss Ceiling Adapter



CAT3

Mounts to round, square and rectangular trusses from .75" up to 3" in diameter and is compatible with all 1.5" NPT threaded pipe.

### Vaulted Ceiling Adapter



CAV1

For installation on cathedral or vaulted ceilings. Adjusts up to 94° and is compatible with all 1.5" NPT threaded pipe.

### Unistrut Ceiling Adapters



CAU1

Bracket and hardware for mounting to single 1-5/8"x1-5/8" Unistrut.



CAU4

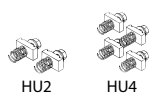
Bracket and hardware (4x4) for mounting to standard 1-5/8"x1-5/8" dual channels spaced on 2.25" centers.



CAU8

Bracket and hardware (8x8) for mounting to standard 1-5/8"x1-5/8" dual channels spaced on 6" centers.

### Unistrut Bolts



HU2 (2 Bolts) HU4 (4 Bolts)

3/8" bolts and spring nuts for mounting ceiling brackets to standard 1-5/8"x1-5/8" Unistrut.

### Fixed Columns

Static ceiling columns for use with all ceiling adapters using standard 1.5" NPT interfaces. Connectors (sold separately) give ability to extend drop lengths by connecting two or more columns. Cable management with a completely open interior.



BLACK	DROP
E06	6"
E1	12"
E018	18"
E2	2'
E3	3'
E4	4'
E5	5'
E6	6'
E7	7'
E8	8'
E9	9'
E10	10'

### Adjustable Columns

Adjustable extension columns designed for use with all ceiling adapters using standard 1.5" NPT interfaces. Column allows for flexibility with quick 1" incremental drop length adjustments and cable management with a completely open interior. Connectors (sold separately) give ability to extend drop lengths by connecting two or more columns.



BLACK	DROP
EA0611	6"-11"
EA01218	12"-18"
EA01824	18"-24"
EA23	2'-3'
EA24	2'-4'
EA35	3'-5'
EA46	4'-6'
EA68	6'-8'
EA810	8'-10'
EA1012	10'-12'

Visit [crimsonav.com](http://crimsonav.com) to see the full line of vidamounts LCD/plasma, projector and TV/monitor mounts. © 2010 Crimson AV LLC. All rights reserved.